

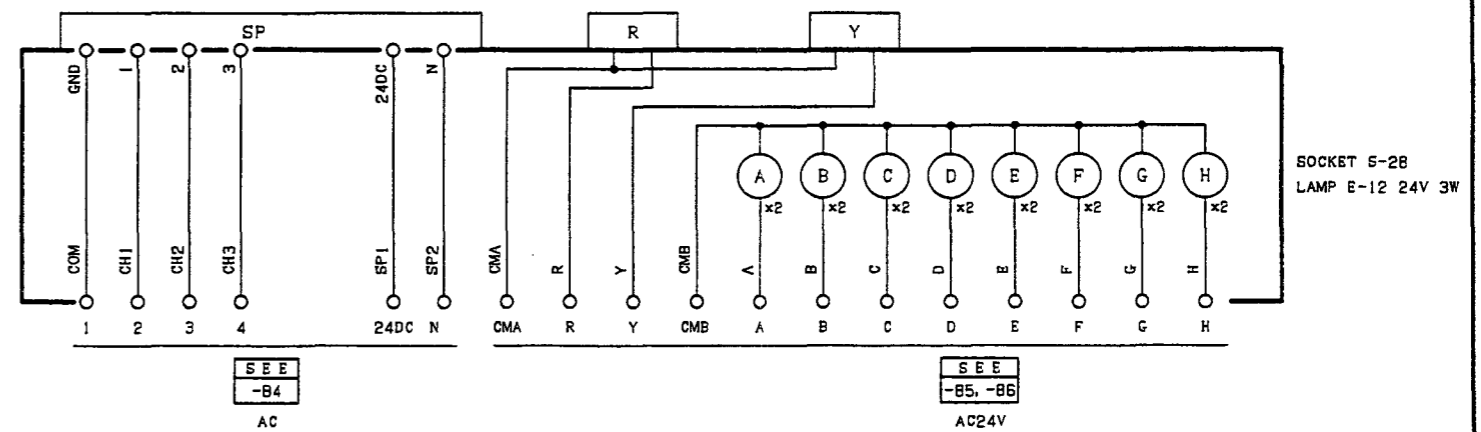
- A : GENERAL
- B : FIRE
- C : CO₂
- D : TELEPHONE CALL
- E : TELEGRAPH
- F : ENGINE TROUBLE
- G : DEAD MAN
- H : E/R CALLING

- 1ALP : UPPER DECK
- 6ALP : TANK TOP
- 7ALP : TANK TOP
- 8ALP : TANK TOP

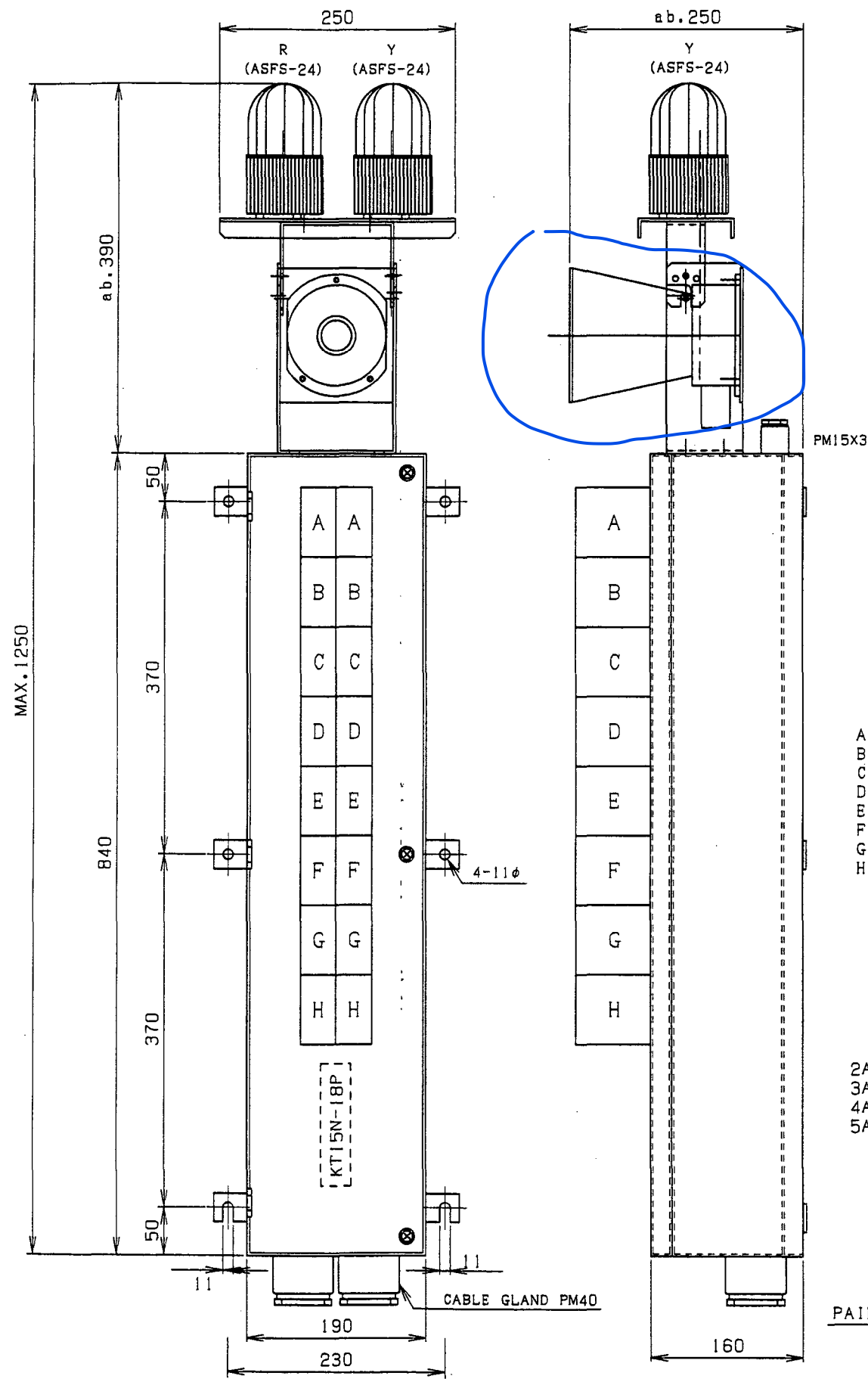
Qt=4SET

PAINTED COLOR : 7.5BG7/2

BZ		
A	GENERAL ALARM	PIPIPI
B	FIRE ALARM	PI —
C	CO RELEASE ALARM	PI — (INTERMITTENT)
D	TELEPHONE CALLING	SEE -OUT23
E	TELEGRAPH	
F	ENGINE TROUBLE	PI-PO-
G	DEAD MAN ALARM	
H	ENG RM CALLING	



REVISION	SCALE : 1/6	TITLE	
		E/R ALARM PANEL	
		JRCS MFG. CO., LTD.	DRAWING NO. CP10203-OUT21 NEXT-OUT21A
			PAGE



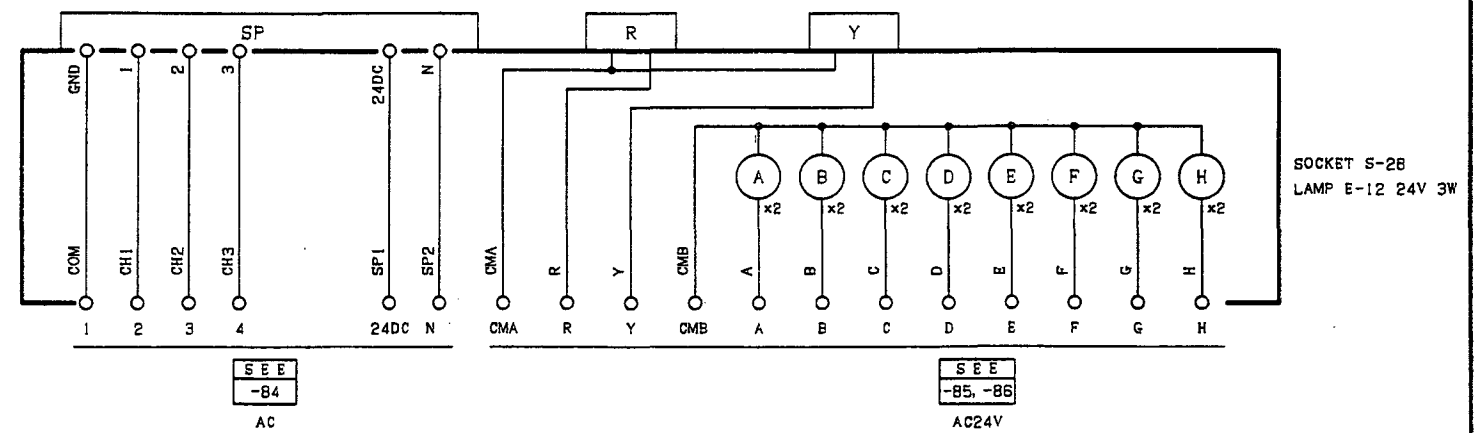
- A : GENERAL
- B : FIRE
- C : CO₂
- D : TELEPHONE CALL
- E : TELEGRAPH
- F : ENGINE TROUBLE
- G : DEAD MAN
- H : E/R CALLING

- 2ALP : SECOND DECK
- 3ALP : SECOND DECK
- 4ALP : THIRD DECK
- 5ALP : THIRD DECK

Qt=5SET

PAINTED COLOR : 7.5BG7/2

BZ		
A	GENERAL ALARM	PIPIPI
B	FIRE ALARM	PI —
C	CO RELEASE ALARM	PI — (INTERMITTENT)
D	TELEPHONE CALLING	SEE -OUT23
E	TELEGRAPH	
F	ENGINE TROUBLE	PI-PO-
G	DEAD MAN ALARM	
H	ENG RM CALLING	



REVISION	1	SCALE : 1/6	TITLE	E/R ALARM PANEL	
				JRCS MFG. CO., LTD.	DRAWING NO. CP10203-OUT21A NEXT-OUT23