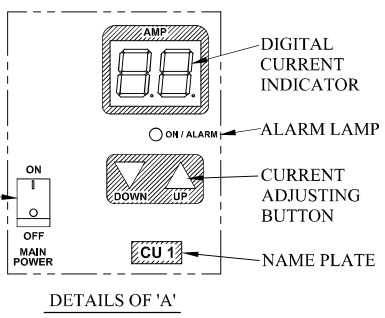
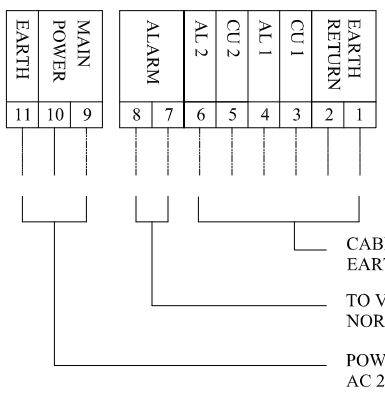


| SPECIFICATION | |
|----------------|------------------------|
| TYPE | KCAF 3040RE |
| PAINTING COLOR | MUNSELL No. 7.5 BG 7/2 |
| ENCLOSURE | I.P. 44 |
| WEIGHT | 20 KG |

| No. | DESCRIPTION |
|-----|--------------------------------|
| 1 | NAME PLATE |
| 2 | DOOR LOCK |
| 3 | DOOR HINGE |
| 4 | EARTHING BOLT |
| 5 | MOUNTING BAR WITH HOLE FOR M10 |
| 6 | DISPLAY KEY PAD(PCB) |
| 7 | TERMINAL BLOCK |
| 8 | CABLE GLAND PLATE |
| 9 | POWER MODULE |
| 10 | MAIN FUSE |
| 11 | DISTRIBUTE PCB |
| 12 | MAIN SWITCH |

WIRING CONNECTION ON THE TERMINAL BLOCK



K.C. LTD.
 1589-6, SONGJUNG-DONG, KANGSU-KU, BUSAN 618-270, KOREA
 TEL: +82 51 631 7720 FAX: +82 51 631 7726

TITLE
MGPS CONTROL PANEL

| | | |
|----------|-----------|----------|
| REF. | DATE | SCALE |
| DWN. HWK | CHD. SYH | APP. SYH |
| | AUG.19,14 | N.S |
| | | DRG NO |
| | | MCKC4WH |

| 0 | AUG.19.14 | ORIGINALLY PREPARED |
|---------|-----------|---------------------|
| REV NO | DATE | MODIFICATION |
| HISTORY | | |