

## 8 Design

### 8.1 D 006 – Exterior Views

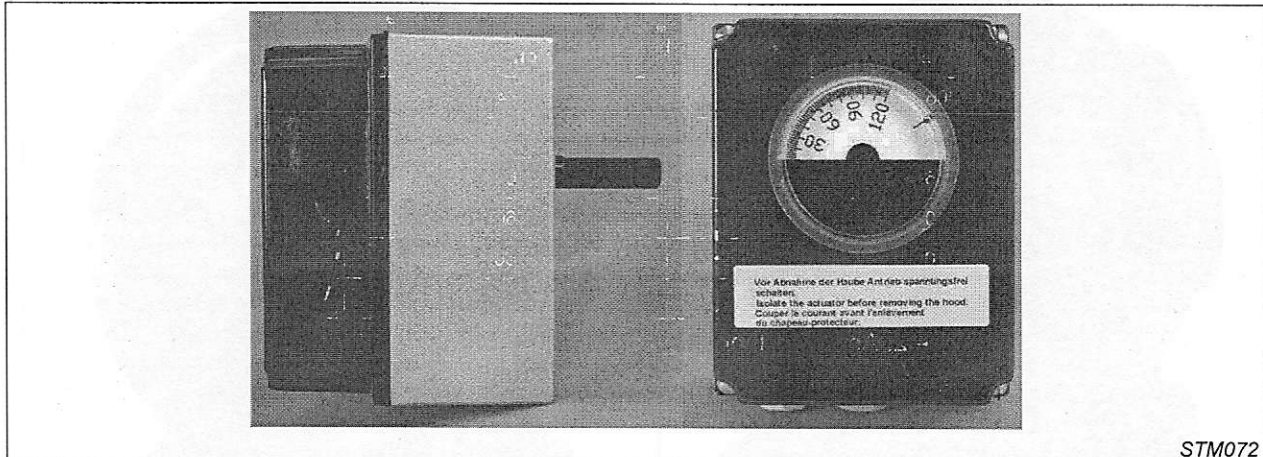


Fig. 3: D 006 Exterior views

### 8.2 D 012 / 025 / 040 / 040h – Exterior Views

In principle the servomotors D 012 / 025 / 040 / 040h are constructed identically and look identical. The only difference is the torque. Therefore, they are described jointly in this chapter.

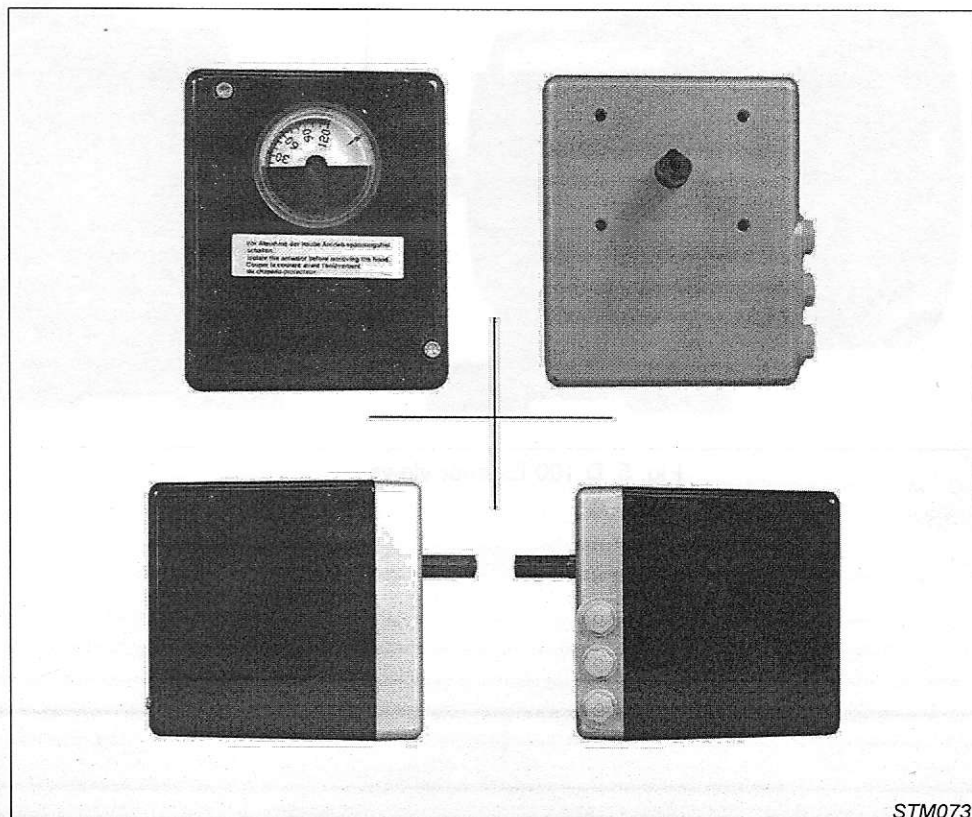


Fig. 4: D 012 / 025 / 040 / 040h Exterior views

#### 8.4 Position Indicator (D 006 / 012 / 025 / 040 / 040h only)

The servomotors D 006 / 012 / 025 / 040 / 040h feature a position indicator. The position indicator consists of a position indicator and a window in the cover of the servomotor.

The position indicator is connected positively to the driven shaft of the servomotor and can be turned on the shaft. For this reason the position indicator is not "fail-safe".

##### Reading the position indicator

You can use the position indicator to determine the position of the actuator, even if you cannot see its position directly.

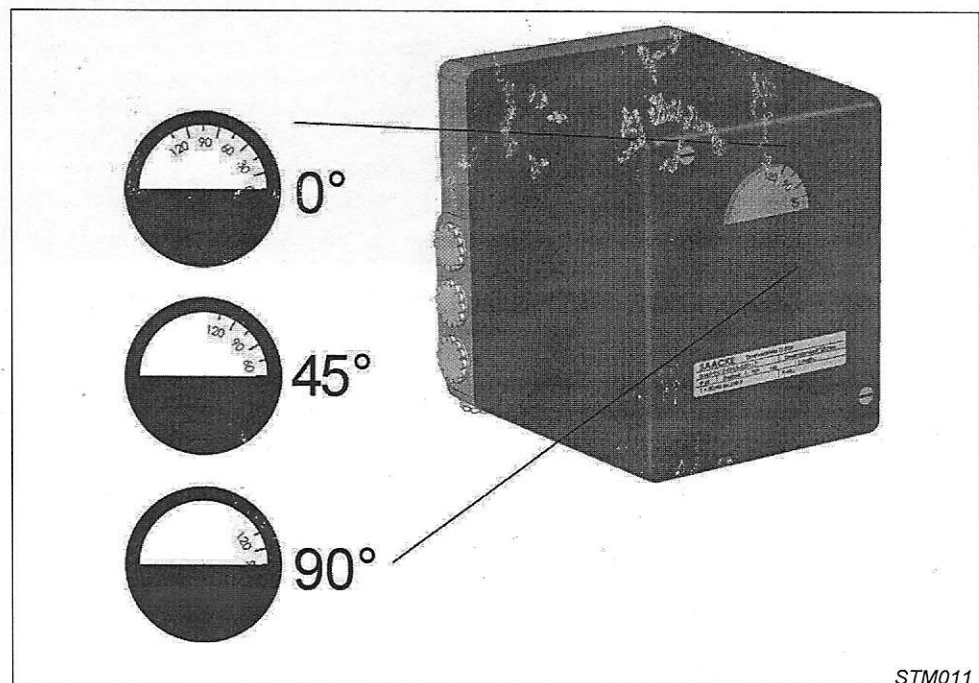


Fig. 6: Position indicator (example D025, rotation angle 90°)

Depending on the variant, the servomotors with position indicator have a rotation angle of 90° or 120°. Depending on the direction of rotation of the motor, the position indicator rotates either clockwise or anti-clockwise.

Look vertically onto the position indicator to read the scale.

##### Note

In the lower limit position of the actuator ("Closed" position) the indicator is 0°.